

Legendfires
collection 2008





Aura Prestige & Prestige XL. Black Interior and High Gloss Black Trim.
Fully Remote Controlled with choice of Standard or Deluxe Pebble Set.

Available either in a high gloss piano black or stylish stone-effect surround, the Aura Prestige and Prestige XL exude an air of sophisticated chic. With remote control operation for ease of use and a powder coated fabrication to ensure there are no hairline cracks or chips to worry about, the Aura Prestige range offers the ultimate in stylish practicality.



Aura Prestige and Prestige XL Stone Effect. Black Interior Stone Effect Trim. Fully Remote Controlled with a choice of Standard or Deluxe Pebble Set.



Aura Prestige and Prestige XL. Stone Effect.

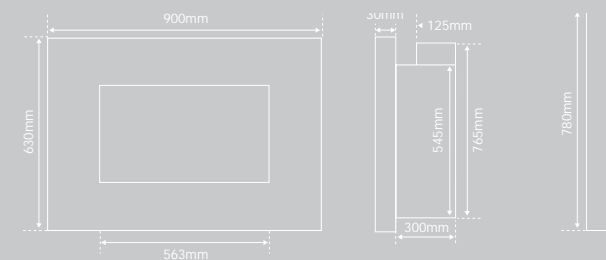
Aura Prestige and Prestige XL

Options and Specifications

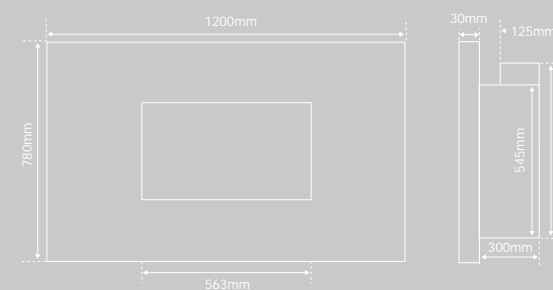
This fire is available with the following options:

Gas Type	Natural Gas only
Control	Fully Remote Control
Fuel Bed	Pebble & Driftwood or Deluxe Pebble & Driftwood
Trim Finish	Piano Black High Gloss or Stone Effect
Flue Class	Class I and Class II

Dimensions Prestige



Dimensions Prestige XL



Dimensions are actual size of fabrication. A clearance of 5mm should be allowed for ease of installation



Aura Landscape. Brushed Steel Interior and Outer Trim.
Fully Remote Controlled with a choice of Standard or Deluxe Pebbles

Aura Landscape represents a further development towards the ultimate in modern hole in the wall styling.

Again, featuring remote control and a unique pebble and driftwood fuel bed, Aura Landscape is available with a choice of black or stainless steel interior.



Aura Landscape Pebble and Driftwood Effect

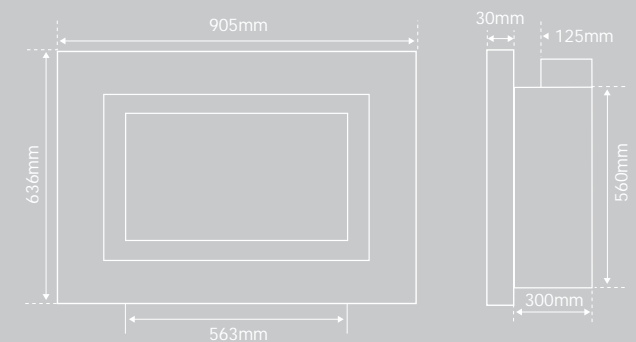
Aura Landscape

Options and Specifications

This fire is available with the following options:

Fuel Type	Natural Gas only
Control	Fully Remote Control
Fuel Bed	Pebble & Driftwood or Deluxe Pebble & Driftwood
Trim Finish	Brushed Steel Interior with Brushed Steel & Black Trim
Flue Class	Class I and Class II

Dimensions



Dimensions are actual size of fabrication. A clearance of 5mm should be allowed for ease of installation

With a stylish two-tone grey, landscape design the new Mirage represents the ultimate in elegantly understated hole-in-the-wall style. Neat lines and discreet controls ensure a minimal exterior façade and with a modular fuel bed there is also no requirement for a traditional hearth.



Mirage. Hole In The Wall Modular Coal Fuel Bed. Manual or Remote Control or Fan Flue



Mirage. Finished in Gun Metal Fascia, Dark Grey Surround.

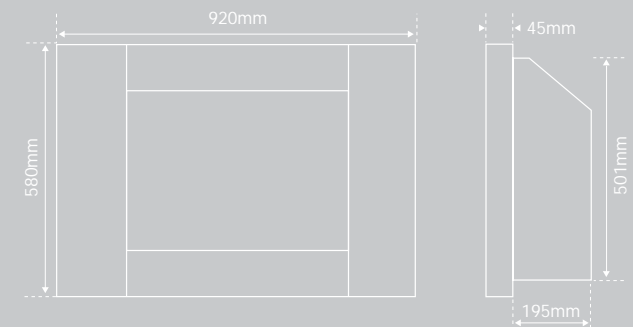
Mirage

Options and Specifications

This fire is available with the following options:

Fuel Type	Natural Gas or LPG
Control	Manual or Remote Control
Fuel Bed	Modular Coal
Trim Finish	Two Tone Gun Metal & Grey
Flue Class	Class I and Class II, Fan Flue Option

Dimensions



Dimensions are actual size of fabrication. A clearance of 5mm should be allowed for ease of installation

The Sintra's unique compact design is perfectly suited to the smaller size room and the uncomplicated styling, with a modular coal fuel bed, means there is no requirement for a traditional hearth. For homes with no chimney or when a flue is either not present or unusable, the fan flue option can be used (subject to available depth) so that Sintra can be sited on an outside facing wall.



Sintra Hole In The Wall Modular Coal Fuel Bed. Manual or Remote Control or Fan Flue.



Sintra with Two Tone Gun Metal & Dark Grey Powder Coat Surround.

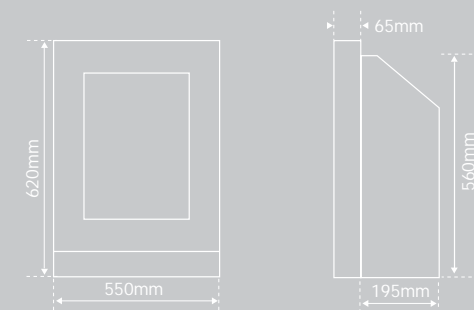
Sintra

Options and Specifications

This fire is available with the following options:

Fuel Type	Natural Gas or LPG
Control	Manual or Remote Control
Fuel Bed	Modular Coal only
Trim Finish	Gun Metal Facia, Dark Grey Surround
Flue Class	Class I and Class II, Fan Flue Option

Dimensions



Dimensions are actual size of fabrication. A clearance of 5mm should be allowed for ease of installation



Vantage 4 Sided. With a choice of Fuel-Bed and Control Options

The Vantage 4 sided is a development of the already established Vantage range. This variation features a modern 4 sided trim, which eliminates the need for a hearth. An optional rear decorative backplate is also available.

Again, this model utilises the tried and tested Vantage burner, which has become a mainstay of the Legend range and is available with a choice of fuel bed.



Vantage 4 Sided
Vision 2 Driftwood Effect



Vantage 4 Sided
Vision 2 Pebble Effect

Legendfires[®]

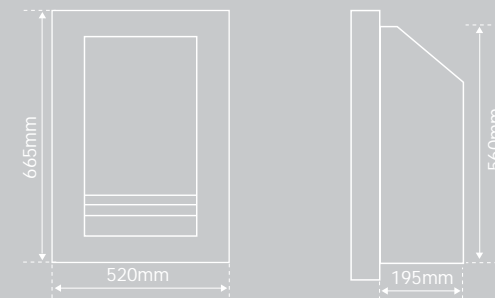
Vantage 4 Sided

Options and Specifications

This fire is available with the following options:

Fuel Type	Natural Gas or LPG (Except Beach Coal)
Control	Manual or Remote Control
Fuel Bed	Coal, Beach Coal, Deluxe Pebble, Twiggs, Driftwood or Modular Coal
Trim Finish	Brushed Stainless Steel
Flue Class	Class I and Class II, Fan Flue Option

Dimensions



Dimensions are actual size of fabrication. A clearance of 5mm should be allowed for ease of installation



Vantage Spirit Hole in the Wall.

The Vantage Hole-in-The-Wall takes the contemporary theme to the next level. The tried and tested Vantage burner is the mainstay of this Legend range and has a proven pedigree.



Vantage Hole in the wall
Beach Coal Effect



Vantage Hole-In-The-Wall
Deluxe Pebble



Vantage Hole-In-The-Wall
Deluxe Twiggs



Vantage Hole-In-The-Wall
Deluxe Driftwood

Legendfires

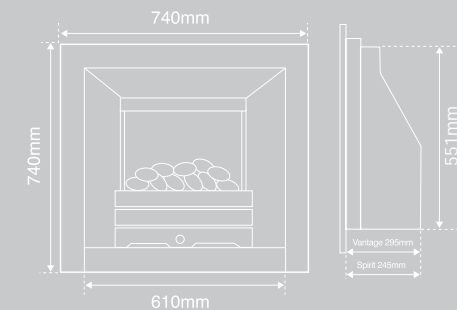
Vantage/Spirit Hole-In-The-Wall

Options and Specifications

This fire is available with the following options:

Fuel Type	Natural Gas or LPG
Control	Manual or Remote Control.
Fuel Bed	Coal, Beach Coal, Deluxe Pebble, Deluxe Twiggs, Deluxe Driftwood or Modular Coal
Trim Finish	Brushed Steel with Black Interior. All Brushed Steel or Brass with Black Interior
Flue Class	Class I and Class II, Fan Flue Option

Dimensions



NOTE

Vantage/Spirit/Hole-In-The-Wall

The fire above does not require the fitting of a hearth, however this can be added as a decorative feature.

Dimensions are actual size of fabrication. A clearance of 5mm should be allowed for ease of installation



Vantage 16" Coal Fuel Bed, Brass Trim.

The tried and tested Vantage fire from Legend has become a true classic and, to offer maximum flexibility, is now available in 16", 18" and 22" variants. Taking this to the next level, a number of trim and fuel bed options are also offered to ensure that the Vantage suits all applications and décor styles.



Vantage 22" Modular Coal Fuel Bed Brass Trim



Vantage 16" Delux Beach Coal Effect Satin Profile Trim



Vantage
Deluxe Driftwood Effect



Vantage
Deluxe Twigg Effect



Vantage Turbo
Deluxe Beach Coal Effect

Vantage

16" Vantage available as a Manual or Remote Control Power Flue. For homes with no chimney.

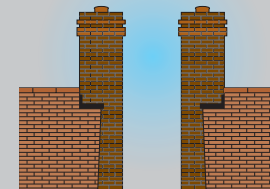
Options and Specifications

A full list of options including:

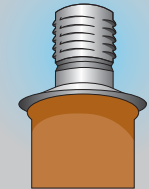
- Fuel Beds
- Controls
- Trims
- Dimensions

Are featured in a specifications grid towards the rear of the brochure.

Flue Class Examples



Class 1 175mm (7") or Equivalent



Class 2 125mm (5") or Equivalent

Remote Control Options

Remote control option is available on certain models. See Specification (Controls).





Sprit Contemporary Vision 2 Beach Coal Effect.



Spirit Coal Effect Polished Steel Trim shown with Rudloe Stone Rothko

Spirit

The Spirit was designed to operate on Class 1, Class 2 and certain pre-cast flues and therefore is shallower than the Vantage. However, the Spirit still retains its deep red glowing coals and realistic flame effect.

A Power Flue option is also available.

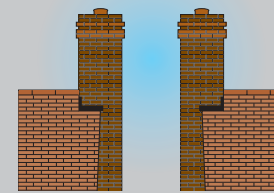
Options and Specifications

A full list of options including:

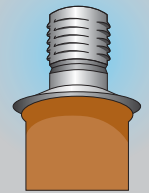
- Fuel Beds
- Controls
- Trims
- Dimensions

Are featured in a specifications grid towards the rear of the brochure.

Flue Class



Class 1 175mm (7") or Equivalent



Class 2 125mm (5") or Equivalent



All Precast Flues



Spirit Contemporary
Vision I Beach Coal Effect



Spirit Contemporary
Vision II Coal Effect



Spirit Coal Effect
Brass Trim



Spirit Coal Effect
Black Trim



Spirit Super Slim Satin Profile Trim. Modular Pebble.

Available in a number of finishes and compatible with all pre-cast flue systems, the new Spirit Superslim fire has a depth of only 90mm. However, when fitted with the new modular coal or pebble fuel bed from Legend, the appearance is of a full depth fire.



Spirit Super Slim Low or High Level Control.
Coal or Pebble Fuel Bed. Brass Profile Trim.



Spirit Super Slim Modular Coal Fuel Bed



Spirit Super Slim Bronze Profile Trim.
Modular Coal



Spirit Super Slim Modular Pebble Fuel Bed

Spirit Superslim

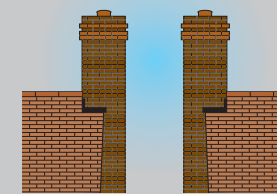
Options and Specifications

A full list of options including:

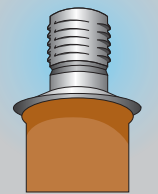
- Fuel Beds
- Controls
- Trims
- Dimensions

Are featured in a specifications grid towards the rear of the brochure.

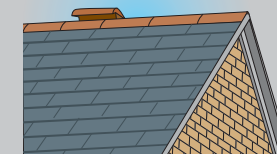
Flue Class



Class 1 175mm (7") or Equivalent



Class 2 125mm (5") or Equivalent



All Precast Flues



Heritage Inset Fire Low Level Control. Coal or Beach Coal Fuel Bed.



Heritage Inset Fire Coal Effect



Heritage Basket Brushed Steel. Coal Effect

Heritage Inset Fire

Suitable for installation into a standard milner fire back or can be housed in a legend hot box for a more efficient use of the generated heat.

Options and Specifications

This fire is available with the following options:

Fuel Type Natural Gas **or** LPG

Control Manual

Fuel Bed Beach Coal **or** Coal

Flue Class Class I **and** Class II

Shown with the Menora Antique Fret

Heritage Basket

The Heritage Basket is available in three finishes brushed steel as in the adjacent picture, brass or if you prefer polished chrome.

Options and Specifications

This fire is available with the following options:

Fuel Type Natural Gas **or** LPG

Control Manual

Fuel Bed Beach Coal **or** Coal

Trim Finish Brushed Steel, Brass **or** Polished Chrome

Flue Class Class I Only

Vision Trim Options & Finishes

Vision Trims are available in 4 different designs and 4 different finishes



Vision I Polished Steel



Vision II Brushed Steel



Vision III Polished Brass



Vision IV Matt Black



Profile Trim Options

Profile Trims are available in 3 different finishes



Profile Brass



Profile Bronze



Profile Satin



New Modular Fuel-Beds

Modular fuel beds are a new concept for gas fires. Using advanced ceramic technology an interlocking fuel bed system has been designed offering the following advantages.

- Easy to set up and install
- No loose coals for children or pets to pick up or disturb
- Speed of installation
- No movement of the fuel bed during the ignition process or on and off cycling
- No fire risk from coals falling on to carpets or surrounding areas
- Confidence that a fuel bed layout is correct when the installer walks away

For coal beds the result is a more realistic coal bed than has been achieved to date. A deep 16" Vantage fire with an modular coal bed system will have 30-40 coals instead of the typical 16 fibre coals. The controlled layout of holes allows for a predicatable layout and combustion eveytime.



Completed Spirit Superslim Coal Set.



Top view and right hand side coal pieces Spirit Superslim Coal Set.



Top view of a section from a Spirit Superslim Pebble Set.



Spirit Superslim Coal Modular Fuel Bed



Spirit Superslim Pebble Modular Fuel Bed

The photo's above show the principle of the modular fuel bed. The set shown is a for a Superslim fire. The fuel bed is split into three sections. A front section, a right hand top section and a left hand top section. For larger fires more sections will be required. This concept has been applied to the Spirit Superslim and 22" Vantage as standard and as an option on the Vantage 16".



Underside of Modular Vantage Coal Bed Section. Note ports for the gas to flo through.



Completed Modular Spirit Superslim Pebble Set.

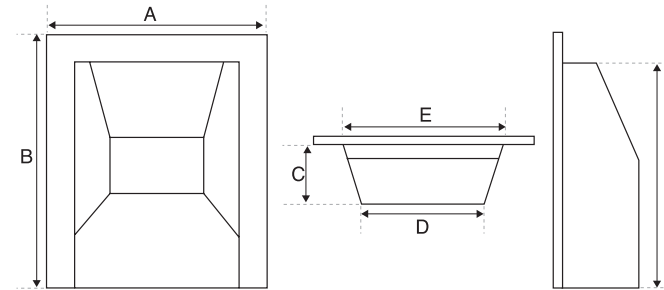


22" Vantage with Modular Fuel Bed

Options & Specification

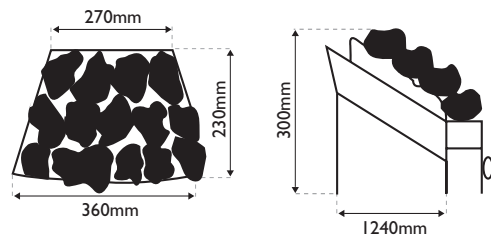
- Vantage
- Spirit
- Spirit Superslim
- Heritage Basket
- Heritage

Dimensions As Per Table Below

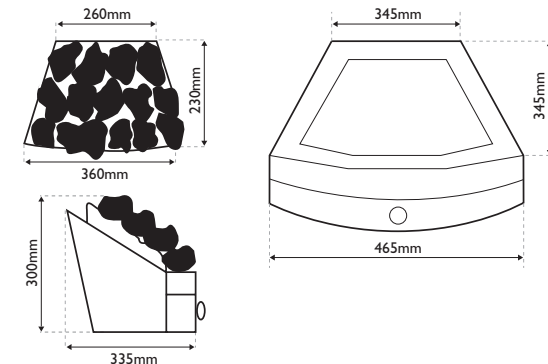


Product of Flue	Controls			Fuel Bed						Trim Design/Finish									KW Input		KW Output		Fire Dimensions						
	Manual	Slide	Remote	Coal	Beach Coal	Deluxe Pebble	Deluxe Twig	Modular Coal	Modular Pebble	Brass	Black Steel	Polished Steel	Brushed Steel	Vision I/II/III/IV Polished Steel	Vision I/II/III/IV Black	Vision I/II/III/IV Brass	Profile Brass	Profile Satin	Profile Bronze	High	Low	High	Low	A	B	C	D	E	F
16" Vantage	Yes	Yes	Yes	Yes	Yes	Yes	Yes	Yes	Yes	Yes	Yes	Yes	Yes	Yes	Yes	Yes	Yes	Yes	Yes	6.9	4.2	3.9	2.4	520mm	615mm	195mm	265mm	400mm	552mm
18" Vantage	Yes	No	No	Yes	Yes	No	No	No	No	Yes	Yes	Yes	Yes	Yes	Yes	Yes	No	No	No	9.6	4.5	4.6	2.9	575mm	615mm	195mm	315mm	450mm	552mm
22" Vantage	Yes	No	No	No	No	No	No	Yes	No	Yes	Yes	Yes	Yes	Yes	Yes	No	No	No	13.00	5.5	6.1	3.4	670mm	615mm	195mm	413mm	555mm	552mm	
Vantage Low Lintel	Yes	Yes	Yes	Yes	Yes	Yes	Yes	Yes	Yes	Yes	Yes	Yes	Yes	Yes	Yes	Yes	Yes	Yes	Yes	6.9	4.2	3.9	2.4	520mm	565 up to 615mm	195mm	265mm	400mm	502 up to 552mm
Vantage Turbo	Yes	No	No	Yes	Yes	Yes	Yes	Yes	Yes	Yes	Yes	Yes	Yes	Yes	Yes	Yes	Yes	Yes	Yes	6.9	4.2	3.9	2.4	520mm	615mm	195mm	265mm	400mm	554mm
Spirit 16"	Yes	Yes	Yes	Yes	Yes	Yes	Yes	Yes	No	Yes	Yes	Yes	Yes	Yes	Yes	Yes	Yes	Yes	Yes	6.2	4.0	3.5	2.1	520mm	615mm	140mm	236mm	400mm	552mm
Spirit Turbo	Yes	No	No	Yes	Yes	Yes	Yes	Yes	No	Yes	Yes	Yes	Yes	Yes	Yes	Yes	Yes	Yes	Yes	6.2	4.0	3.5	2.1	520mm	615mm	140mm	236mm	400mm	554mm
Spirit Superslim	Yes	Yes	No	No	No			Yes	Yes	Yes	Yes	Yes	Yes	Yes	Yes	Yes	Yes	Yes	Yes	5.5	3.6	3.0	1.8	520mm	615mm	90mm	270mm	325mm	551mm

HERITAGE BURNER TRAY ONLY



HERITAGE CONTEMPORARY BASKET

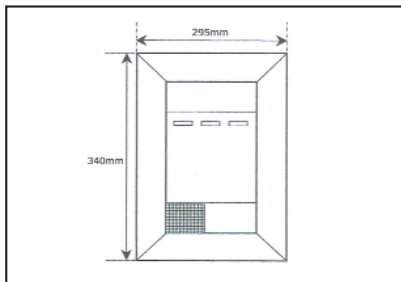


Options & Specification

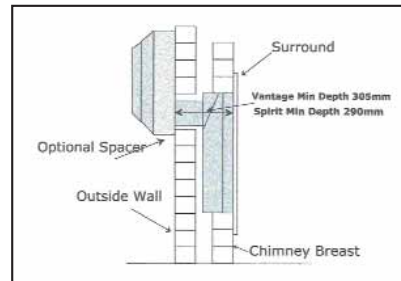
- Standard Fan Flue. Manual/Remote Control
- Hole-In-The-Wall. Manual/Remote Control

Fan Flue Option

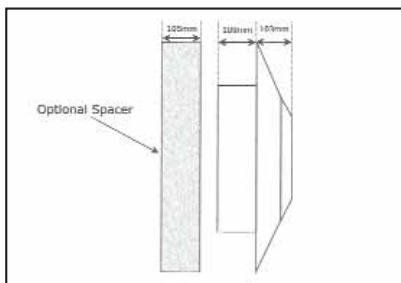
A fan flue alternative is available for new homes built without a chimney or older properties where the flue is no longer of sound integrity. All that is required is a suitable outside wall.



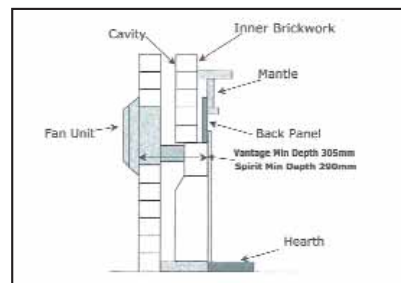
Fan Flue Front View



Hole-In-The-Wall Fan Flue Minimum Dimensions



Fan Flue Side View



Standard Fan Flue Minimum Dimensions



General Information

We recommend that a fireguard be used where children, the elderly and infirm are present.

Legend Fires policy is one of constant development and improvement. We reserve the right to change the design and specification to our range of products without formal notice. All Legend products are fitted with oxy-sensing pilots and flame supervision device as standard. We advise that Legend products are installed and serviced annually by a CORGI registered engineer.



Legendfires^{flame}
collection 2008

Unit 200, Glenfield Park Site 1
Philips Road, Blackburn
Lancashire BB1 5PF

T: 01254 695244 F: 01254 695255
www.legend-fire.com
www.legendelectric.co.uk

